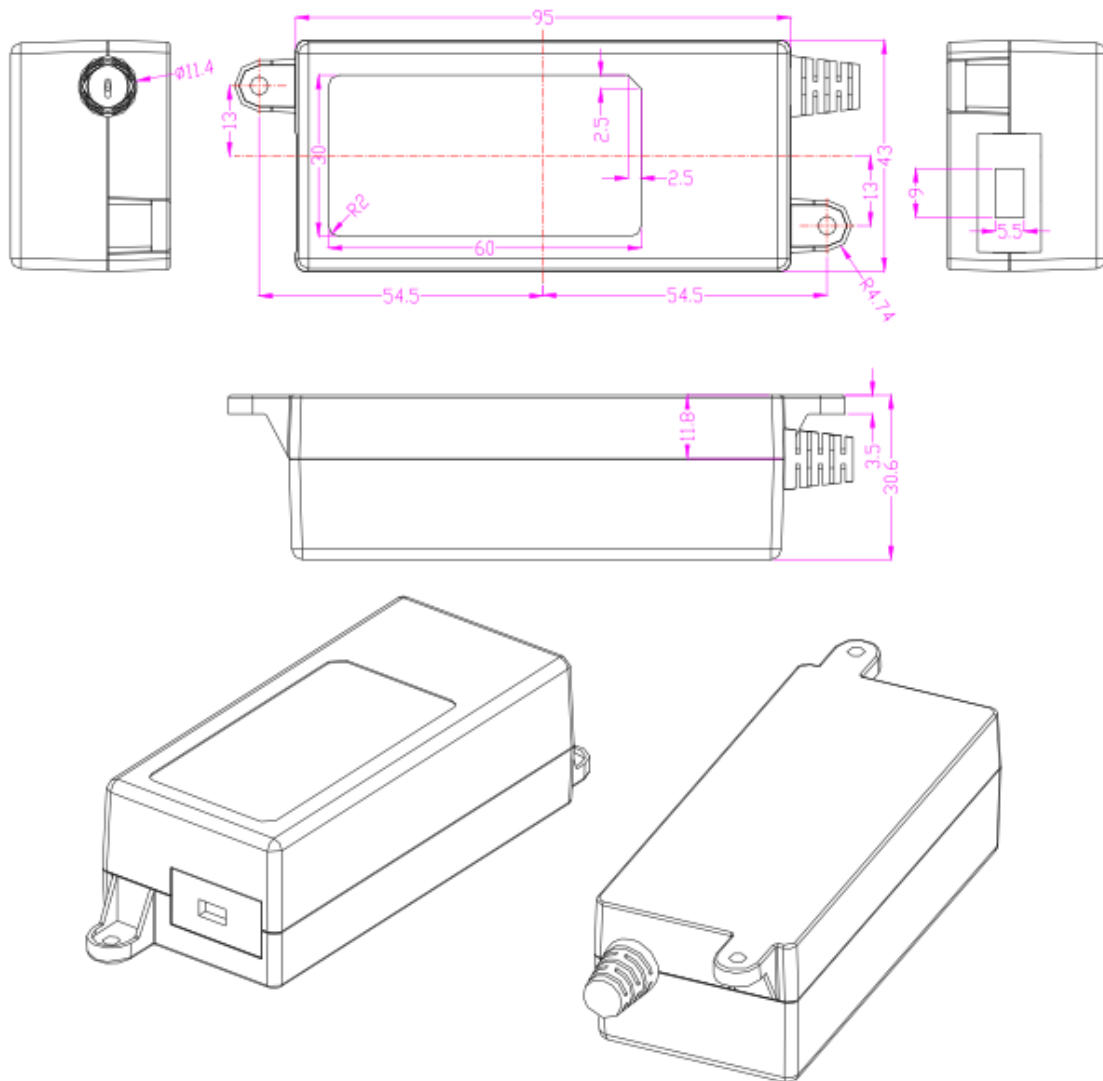


### Features:

- Level VI
- Universal / Full range AC input
- Fixed AC mains lead (Bare Ends)
- Class II power (no earth)
- Small & Compact design
- Built-in wall-mounting tabs
- Cost effective and high reliability



SPECIFICATION		
Part Code	T6362ST	T6363ST
Input Voltage	90-264ac	90-264ac
Input Frequency	47-63Hz	47-63Hz
Input Current	0.5A Max	0.5A Max
Inrush Current	40A Max	40A Max
Average Efficiency	82.96%	82.96%
Output Rate	+12V	+12V
Output min load	0.0A	0.0A
Output max load	1A	2A
Output Range	11.4-12.6V	11.4-12.6V
Ripple & Noise	200mVp-p	200mVp-p
Line Regulation	+/-1%	+/-1%
Load Regulation	+/-5%	+/-5%
Over Current Protection	<2A	<3.5A
Short Circuit Protection	No Damage	No Damage
Operating Temperature	0 to 40°C	0 to 40°C
Operating Humidity	10% to 90% RH	10% to 90% RH
Storage Temperature	-20 to 80°C	-20 to 80°C
Storage Humidity	5% to 95% RH	5% to 95% RH
EMI / EMS	RN55022, CE(EN60950-1), EN61000-3-2, EN61000-4-2, EN61000-4-3, EN61000-4-4, EN61000-4-5, EN61000-4-6	RN55022, CE(EN60950-1), EN61000-3-2, EN61000-4-2, EN61000-4-3, EN61000-4-4, EN61000-4-5, EN61000-4-6
Hi-Pot	Primary to Secondary: 3000Vac	Primary to Secondary: 3000Vac
Leakge	0.25mA	0.25mA



### Stadium Stontronics Ltd

Chancerygate Business Centre, Cradock Road, Reading, Berkshire, RG2 0AH.

Tel: +44 (0) 118 931 1199 • Fax: +44 (0) 118 931 1145 • Email: [Sales@stontronics.co.uk](mailto:Sales@stontronics.co.uk) • Web: [www.stontronics.com](http://www.stontronics.com)

Please Note: Image shown is representative of entire range. Individual PSU image &/or drawings or data sheets available on request.

Stontronics Ltd accepts no responsibility for typographical errors in the production of this leaflet. Product specifications are subject to change without notice.

