

Features:

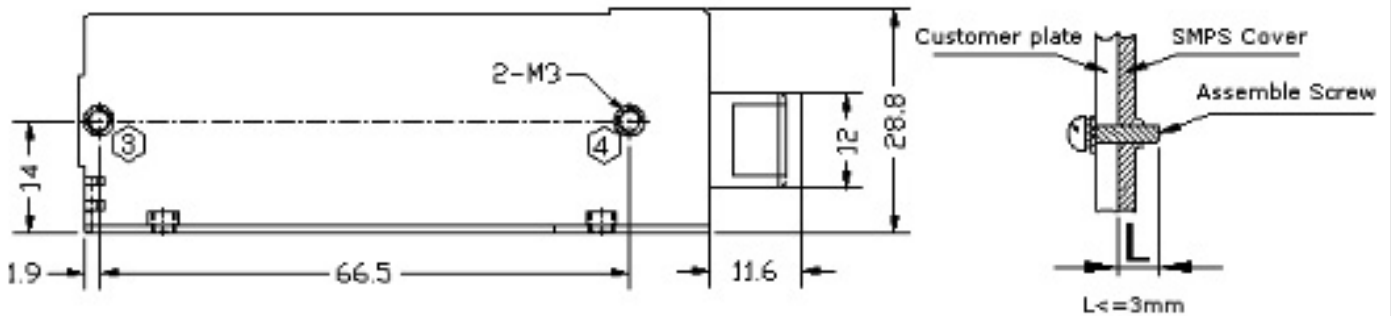
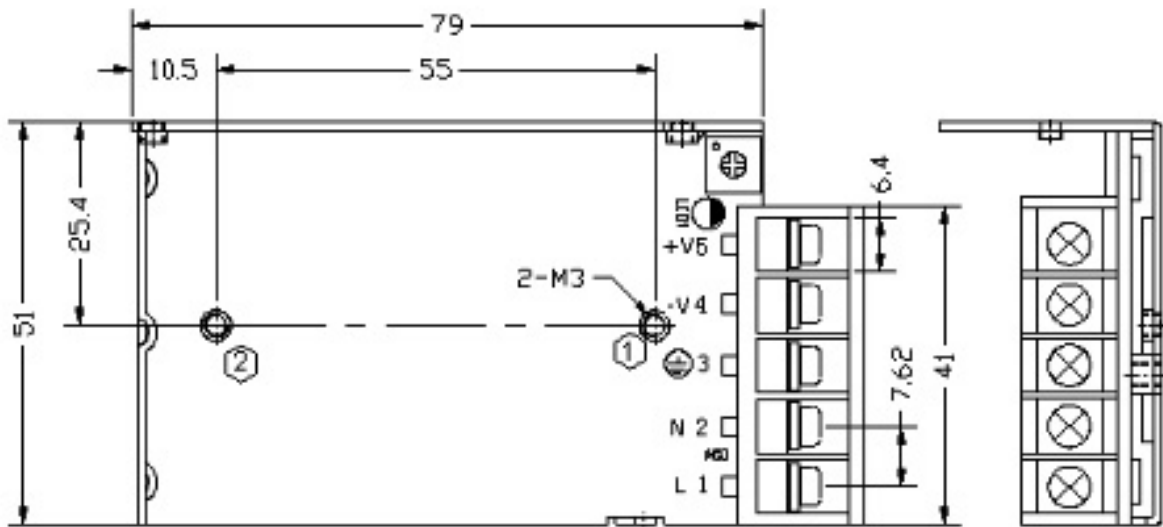
- No Load Power Consumption <0.5W
- Universal AC Input
- Output Protections OLP/OVP/SCP
- 100% Full load Burn-in Test
- Suitable For Critical Applications
- 3 Year Warranty



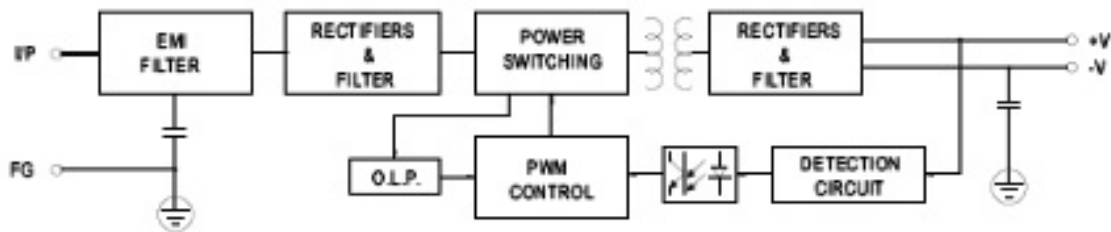
SPECIFICATION					
Part Number	PD-25-S3.3	PD-25-S3.5	PD-25-S3.12	PD-25-S3.15	PD-25-S3.24
Output Voltage	3.3V	5V	12V	15V	24V
Output Current (Max.)	5A	5A	2.1A	1.6A	1.1A
Output Current (Min.)	0A	0A	0A	0A	0A
Power (Watts)	42W				
Line Regulation	+/- 0.5%	+/- 0.5%	+/- 0.5%	+/- 0.5%	+/- 0.5%
Voltage Tolerance	+/- 2%	+/- 2%	+/- 1%	+/- 1%	+/- 1%
Ripple & Noise (mV p-p)	<50mV	<50mV	120mV	120mV	120mV
Full Input Range	90 - 264Vac				
Full Input Frequency Range	47 - 63Hz				
Efficiency 115 VAC Input	70%	76%	80%	82%	84%
Efficiency 230 VAC Input	71%	78%	82%	83%	85%
Input Current (RMS. Max)	0.7A				
Leakage Current	Input-Output:<0.25mA Input-PG:<0.75mA				
Operating Temperature	-25°C to 70°C				
Storage Temperature	-40°C to 85°C				
Operating Humidity	20 to 95%				
Storage Humidity	10 to 95%				
Safety Approvals	UL60950-1 2nd Ed; IEC 60950-1:2005(2nd Ed) ; EN60950-1:2006				
EMI Standards	Compliance to EN55022, EN55024 Class B				
MTBF	200K Hours				
Protection	Over Load Over Voltage Short Circuit				
Case Size (mm)	79x51x28.8				
Weight	10.4KGS				



Mechanical Specification Unit:mm



Block Diagram



Derating Curve

