



### PRODUCT FEATURES:

- Built in Active chipset in the headshell boosts the signal to maintain superior performance
- Market-leading Electrostatic Discharge (ESD) protection
- Supports 3D, 4k\*4k, 10.2Gpbs, 2150P and XV colour
- Triple shielded to completely reject interference
- 1.4a version with Audio Return Channel
- High Speed with Ethernet
- Pure oxygen-free conductors
- 24k gold contacts
- Aluminium Headshell
- Lab tested to 17.8 Gigabit
- Single Direction

Product Code	ACTIVE-10M	ACTIVE-15M	ACTIVE-20M	ACTIVE-25M	ACTIVE-30M
Overall Length	10M	15M	20M	25M	30M
Connector Type B	HDMI Plug				
Connector Type A	HDMI Plug				
Color	Silver				
Safety Approvals	CE, ROHS, FCC, IEC, UL, HDMI cert				

ECN MARK	ECN NO.	DESCRIPTION	DATE

LENGTH	AWG
15000mm	26AWG OD:8.0

**5P+4C(26AWG)  
1.4 Version**

Drain wire: 5\*28AWG(1/0.254mmBC)  
 Conductor: 2C\*28AWG(1/0.254mmBC)  
 Conductor: 5\*[26AWG(1/0.40mmBC)\*1 pair]  
 Insulation foamed-PE, OD: Ø0.7  
 Insulator: 5\*al  
 Conductor: 28AWG(1/0.254mmBC)\*1 pair  
 Insulation: HD-PE, OD: Ø0.5  
 HDPE(1 twisted)

Insulation: HD-PE, OD: Ø0.5  
 Tapping: AL/MY 0.025\*20mm  
 Braiding: 128#0.12ALMG+1/0.254mmBC  
 Jacket: Ø8.0mm  
 UL PVC, 70P Black

Type A PIN	Signal Assignment	Type A PIN
1 Blue	Blue	1
2 ground	ground	2
3 white	white	3
4 Blue	Blue	4
5 ground	ground	5
6 white	white	6
7 Blue	Blue	7
8 ground	ground	8
9 white	white	9
10 Blue	Blue	10
11 ground	ground	11
12 white	white	12
14 Blue	Blue	14
17 ground	ground	17
19 white	white	19
15 Yellow	Yellow	15
16 Orange	Orange	16
13 white	white	13
18 red	red	18
SHELL	SHELL	SHELL

ITEM	DWG NO	DESCRIPTIONS&SPECIFICATIONS	QTY.	REMARK	Unit:MM	TOLERANCE	SIGNATURES	DATE	REV	SCALE	TITLE	DWG NO	DXZS005
5		HDMI Cable PVC BLACK	1PC			20.99 ±0.00					<b>ACTIVE</b>		
4		PVC BLACK 45P	2PC			100.999 ±0.00	DRAFT: Jay						
3		Gold AL Metal Shell	2PC			1000.9999 ±0.00	CHECKED: Neo						
2		HDMI TYPE A PLUG 19PIN(Pins Gold Plated,SHELL Gold Plated)	1PC			10000.9999 ±100.00	APPROVAL: Zing						
1		HDMI TYPE A PLUG 19PIN(Pins Gold-Plated,SHELL Gold-Plated)	1PC										



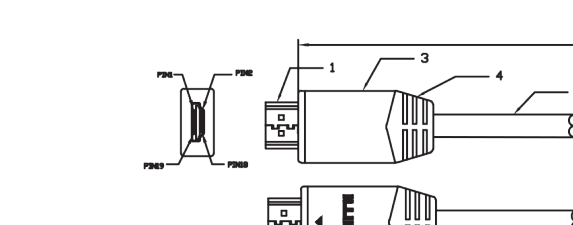
### PRODUCT FEATURES:

- Built in Active chipset in the headshell boosts the signal to maintain superior performance
- Market-leading Electrostatic Discharge (ESD) protection
- Supports 3D, 4k\*4k, 10.2Gpbs, 2150P and XV colour
- Triple shielded to completely reject interference
- 1.4a version with Audio Return Channel
- High Speed with Ethernet
- Pure oxygen-free conductors
- 24k gold contacts
- Aluminium Headshell
- Lab tested to 17.8 Gigabit
- Single Direction

Product Code	ACTIVEBLUE-10M	ACTIVEBLUE-15M	ACTIVEBLUE-20M	ACTIVEBLUE-25M	ACTIVEBLUE-30M
Overall Length	10M	15M	20M	25M	30M
Connector Type B	HDMI Plug				
Connector Type A	HDMI Plug				
Color	Blue				
Safety Approvals	CE, ROHS, FCC, IEC, UL, HDMI cert				

ECN MARK	ECN NO.	DESCRIPTION	DATE

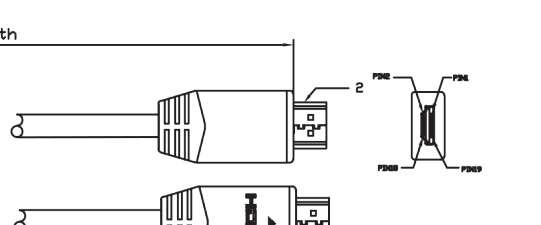


**5P+4C(26AWG)  
1.4 Version**

Drain wire 5\*28AWG(1/0.254mmBC)  
Conductor 5\*26AWG(1/0.40mmBC)\*1pair  
Insulation foamed PE, OD Ø0.7  
Insulator 5\*al  
Conductor 28AWG(1/0.254mmBC)\*1pair  
Insulation HD-PE, OD Ø0.5  
HDPE(1 twisted)

Conductor 2C\*28AWG(1/0.254mmBC)  
Insulation HD PE, OD Ø0.5  
Lapping AL/MY 0.025\*20mm  
Braid 128#0.12AL MG+ 1/0.254mmBC  
jacket Ø0.8mm  
UL PVC, 70P Black

Length



LENGTH	AWG
15000mm	26AWG OD:8.0

Type A PIN	Signal Assignment	Type A PIN
1 Blue	Blue	1
2 ground	ground	2
3 white	white	3
4 Blue	Blue	4
5 ground	ground	5
6 white	white	6
7 Blue	Blue	7
8 ground	ground	8
9 white	white	9
10 Blue	Blue	10
11 ground	ground	11
12 white	white	12
14 Blue	Blue	14
17 ground	ground	17
19 white	white	19
15 Yellow	Yellow	15
16 Green	Green	16
13 white	white	13
18 red	red	18
SHELL	SHELL	SHELL

ITEM	DWG NO	DESCRIPTIONS&SPECIFICATIONS	QTY.	REMARK	Unit:MM	TOLERANCE	SIGNATURES	DATE	REV
5		HDMI Cable PVC BLACK	1PC			20.99 ±0.00			
4		PVC BLACK 45P	2PC			100.999 ±0.00			
3		Gold AL Metal Shell	2PC			1000.9999 ±0.00			
2		HDMI TYPE A PLUG 19PIN(Pins Gold-Plated,SHELL Gold-Plated)	1PC			10000.9999 ±0.00			
1		HDMI TYPE A PLUG 19PIN(Pins Gold-Plated,SHELL Gold-Plated)	1PC						

SCALE	TITLE	DWG NO	DXZS005

ACTIVE

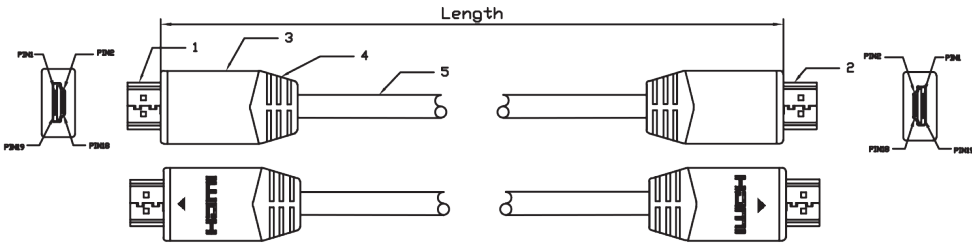


### PRODUCT FEATURES:

- Built in Active chipset in the headshell boosts the signal to maintain superior performance
- Market-leading Electrostatic Discharge (ESD) protection
- Supports 3D, 4k\*4k, 10.2Gpbs, 2150P and XV colour
- Triple shielded to completely reject interference
- 1.4a version with Audio Return Channel
- High Speed with Ethernet
- Pure oxygen-free conductors
- 24k gold contacts
- Aluminium Headshell
- Lab tested to 17.8 Gigabit
- Single Direction

Product Code	ACTIVEGREEN-10M	ACTIVEGREEN-15M	ACTIVEGREEN-20M	ACTIVEGREEN-25M	ACTIVEGREEN-30M
Overall Length	10M	15M	20M	25M	30M
Connector Type B	HDMI Plug				
Connector Type A	HDMI Plug				
Color	Green				
Safety Approvals	CE, ROHS, FCC, IEC, UL, HDMI cert				

ECN MARK	ECN NO.	DESCRIPTION	DATE



Length

LENGTH	AWG
15000mm	26AWG OD:8.0

**5P+4C(26AWG)  
1.4 Version**

Type A PIN	Signal Assignment	Type A PIN
1 Blue	Blue	1
2 ground	ground	2
3 white	white	3
4 Blue	Blue	4
5 ground	ground	5
6 white	white	6
7 Blue	Blue	7
8 ground	ground	8
9 white	white	9
10 Blue	Blue	10
11 ground	ground	11
12 white	white	12
14 Blue	Blue	14
17 ground	ground	17
19 white	white	19
15 Yellow	Yellow	15
16 Orange	Orange	16
13 white	white	13
18 red	red	18
SHELL	SHELL	

Drain wire: 5*28AWG(1/0.254mmBC)	Conductor: 2C*28AWG(1/0.254mmBC)
Conductor: 5*[26AWG(1/0.40mmBC)*1pair]	Insulation HD-PE, OD Ø0.5
Insulation foamed-PE, OD Ø0.7	Lapping AL/MY 0.025*20mm
Insulator: 5*al	Braiding: 128#/0.12ALMG+1/0.254mmBC
Conductor: 28AWG(1/0.254mmBC)*1pair	Jacket Ø: 8mm
Insulation HD-PE, OD Ø0.5	UL PVC, 70P Black
HDPE(1 twisted)	

ITEM.	DWG NO	DESCRIPTIONS&SPECIFICATIONS	QTY.	REMARK	Unit: MM	TOLERANCE	SIGNATURES	DATE	SCALE	TITLE
5		HDMI Cable PVC BLACK	1PC			±0.50	DRAFT: Jay			<b>ACTIVE</b> DXZS005
4		PVC BLACK 45P	2PC			±0.05	CHECKED: Neo			
3		Gold AL Metal Shell	2PC			±0.05	APPROVAL: Zing			
2		HDMI TYPE A PLUG 19PIN(Pins Gold Plated,SHELL Gold Plated)	1PC			±0.05				
1		HDMI TYPE A PLUG 19PIN(Pins Gold-Plated,SHELL Gold-Plated)	1PC			±0.05				



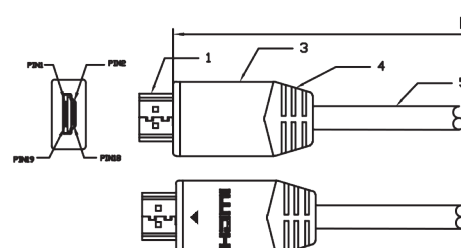
### PRODUCT FEATURES:

- Built in Active chipset in the headshell boosts the signal to maintain superior performance
- Market-leading Electrostatic Discharge (ESD) protection
- Supports 3D, 4k\*4k, 10.2Gpbs, 2150P and XV colour
- Triple shielded to completely reject interference
- 1.4a version with Audio Return Channel
- High Speed with Ethernet
- Pure oxygen-free conductors
- 24k gold contacts
- Aluminium Headshell
- Lab tested to 17.8 Gigabit
- Single Direction

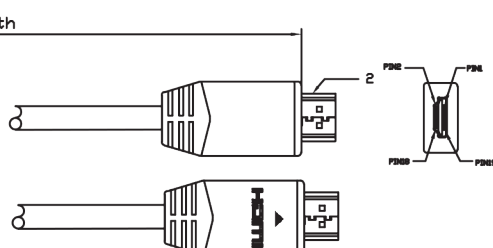
Product Code	ACTIVERED-10M	ACTIVERED-15M	ACTIVERED-20M	ACTIVERED-25M	ACTIVERED-30M
Overall Length	10M	15M	20M	25M	30M
Connector Type B	HDMI Plug				
Connector Type A	HDMI Plug				
Color	Red				
Safety Approvals	CE, ROHS, FCC, IEC, UL, HDMI cert				

ECN MARK	ECN NO.	DESCRIPTION	DATE



**5P+4C(26AWG)  
1.4 Version**



LENGTH	AWG
15000mm	26AWG OD:8.0

Type A PIN	Signal Assignment	Type A PIN
1 Blue	Blue	1
2 ground	ground	2
3 white	white	3
4 Blue	Blue	4
5 ground	ground	5
6 white	white	6
7 Blue	Blue	7
8 ground	ground	8
9 white	white	9
10 Blue	Blue	10
11 ground	ground	11
12 white	white	12
14 Blue	Blue	14
17 ground	ground	17
19 white	white	19
15 Yellow	Yellow	15
16 Orange	Orange	16
13 white	white	13
18 red	red	18
SHELL	SHELL	

ITEM.	DWG NO	DESCRIPTIONS&SPECIFICATIONS	QTY.	REMARK	Unit:MM	TOLERANCE	SIGNATURES	DATE	REV	SCALE	TITLE	DWG NO
5		HDMI Cable PVC BLACK	1PC									
4		PVC BLACK 45P	2PC			±0.05	DRAFT: Jay					
3		Gold AL Metal Shell	2PC			±0.05	CHECKED: Neo					
2		HDMI TYPE A PLUG 19PIN(Pins Gold-Plated,SHELL Gold-Plated)	1PC			±0.05	APPROVAL: Zang					
1		HDMI TYPE A PLUG 19PIN(Pins Gold-Plated,SHELL Gold-Plated)	1PC			±0.05						